



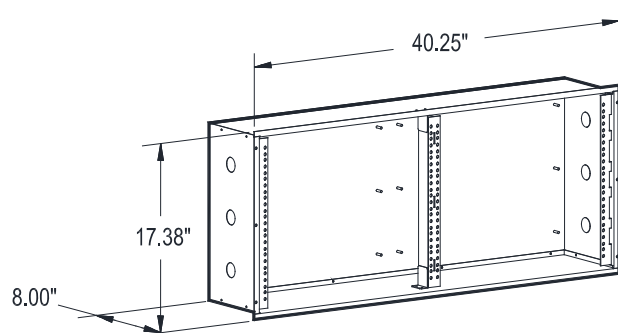
## Features

- ▶ Desk Mount Enclosure
- ▶ Conduits Knock outs on Enclosure Sides
- ▶ Heavy Duty 16 Gage Steel
- ▶ 2 CAB-17 Mounting Plate Footprints

## Description

The CAB-17 Fire Command Center (FCC) Desk Mount Enclosure is a 16 gage steel equipment enclosure used to mount FCC modules. The enclosure is designed for use with all LSN 2000 Fire Command Center modules, such as the Control Panel, Display Control Modules, Printer Module, Power Supplies and Output Connector Panel. In the rear of the enclosure, mounting studs exist for the installation of two CAB-17 Mounting Plates. These mounting plates are used for mounting FCC electronic components. The Mounting Plates allow the electrical contractor to pull conduit connections and field wiring inside the CAB-17 enclosure before electronic equipment is installed. Conduit knock outs are provided on either side of the enclosure. When installing the CAB-17 enclosure, the following must be considered:-

- Local mounting codes.
- The physical size and weight of cabinet.

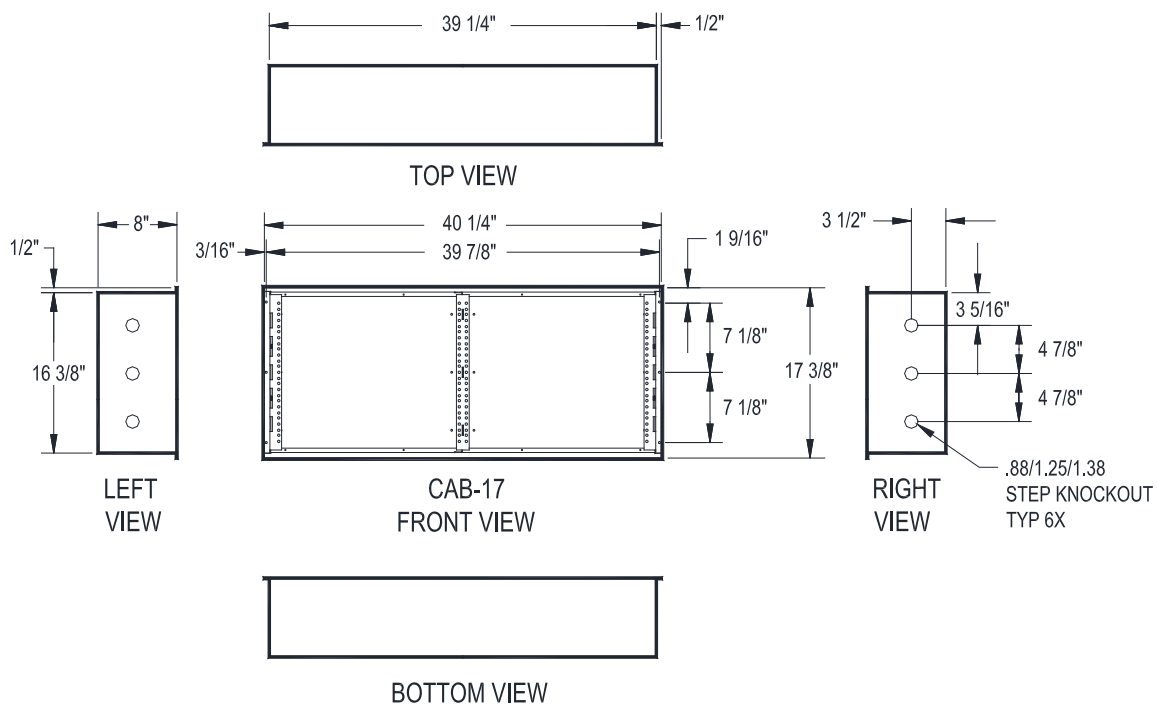


# Engineering Specifications

The CAB-17 Desk Mount Enclosure shall be used for mounting LSN 2000 Life Safety Net electronic components. The CAB-17 shall contain 12 mounting studs for two CAB-17 Mounting Plates. This feature will allow electronic components to be assembled, pre-wired and tested on the Mounting Plates before installation in the enclosure. The CAB-17 shall be made of 16 gage heavy duty steel painted black. Conduit knock outs shall be provided on either side of the enclosure.

## Application

The CAB-17 Desk Mount Enclosure is used to mount Fire Command Center modules and CAB-17 Mounting Plates with electronic components. The enclosure is specifically designed with mounting studs to facilitate mounting the back box without electronic components installed. Electronic components can be assembled on mounting plates and installed in the enclosure after it has been mounted.



## Ordering Information

Model No.	Part No.	Description
CAB-17	77153	Enclosure

It is our intention to keep the product information up to date and accurate. We cannot cover all specific applications or anticipate all requirements. All specifications are subject to change without notice. For more information contact: FIRECOM, INC.

**FIRECOM™, INC.**  
 39-27 59th Street  
 Woodside, NY 11377  
 718.899.6100 TEL  
 718.899.1932 FAX



FIRECOMINC.COM

77154  
 Rev 150601  
 2 of 2