

## Features

- ▶ Detects short circuits on SLC
- ▶ Isolates short circuit between Isolators
- ▶ Automatic de-isolation on short circuit removal
- ▶ Yellow Fault LED



*F900-750 Isolator*

## Description

The F900-750 Isolator is designed to sense and isolate short circuits on the Firecom Analog Addressable Signaling Line Circuits (SLC). The isolator is placed at intervals on the SLC and ensures that, in case of a short circuit, only the section between the isolators will be affected. When the short circuit is removed, the isolator automatically restores power and data to the isolated section. A yellow LED illuminates if a short circuit is detected on either side of the isolator.

## Protocol

F900-750 Isolator is designed to work in conjunction with fire alarm panels that support the Firecom approved analog addressable protocol.

## Approvals and Listings

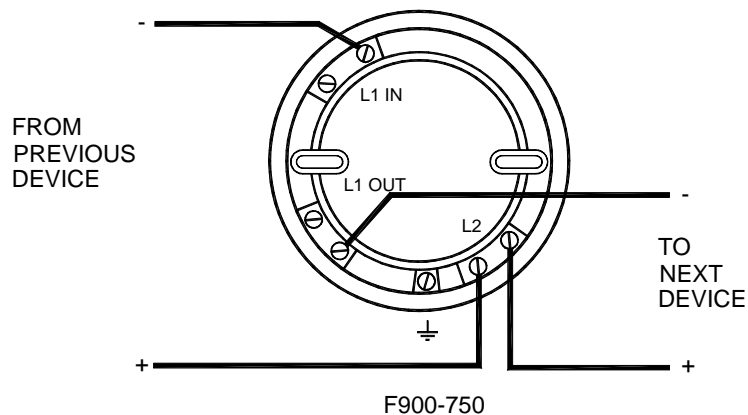
Underwriters Laboratories (File No. S6349)  
NYC MEA (MEA No. 32-95-E)



## Application

The F900-750 Isolator is placed at intervals on the SLC and ensures that in the case of a short circuit, only the section between the isolators will be affected. When the short circuit is removed, the isolator automatically restore power and data to the isolated section

## Wiring Connection



**Note:** Do not use looped wire under terminal L2. Break wire run to provide supervision of connections.

## Electrical Specifications

Working Voltage	17-28 VDC
Standby Current	110uA
Maximum Current	8.5mA
Maximum Line impedance	50 ohms
Operating Temperature	0°C to 49°C
Operating Relative Humidity Range	0% to 93% @ 32° C

## Ordering Information

Model No.	Part No.	Description
F900-750	75000	Isolator

It is our intention to keep the product information up to date and accurate. We cannot cover all specific applications or anticipate all requirements. All specifications are subject to change without notice. For more information contact: FIRECOM, INC.