



F900-941

## Description

The F900-941 Dual Action Addressable Manual Pull Station is a high quality, die cast metal fire alarm pull station. The F900-941 communicates to Firecom analog addressable boards and modules. The F900-941 is a dual action pull station with a diagonal white stripe from left to right. A backplate with a diagonal white stripe can be mounted behind the F900-941 Addressable Manual Station if required. The F900-941 has been tested for compliance to the latest requirements of the *Americans with Disabilities Act* (ADA).

## Approvals and Listings

Underwriters Laboratories (File No. S2184)  
NYC MEA (MEA No. 32-95-E)



## Features

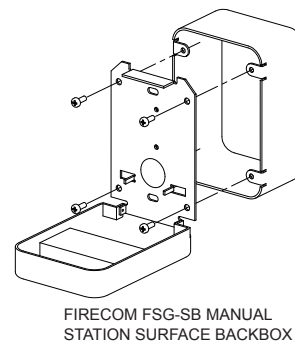
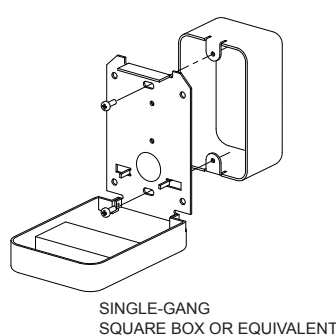
- ▶ Approved for ADA
- ▶ Dual Action Pull Station
- ▶ Mounts on Single Gang Box
- ▶ High Gloss Red Enamel Finish
- ▶ Low Power Consumption

## Application

The F900-941 Dual Action Addressable Manual Pull Station is operated by simply pushing the *PUSH* bar inward allowing the *PULL* handle to be grasped in a one handed motion as far down as it will go, at which point the handle locks into place and is easily visible from up to 50 feet. The handle is reset by opening the station with the key, placing the handle in the normal upright position and re-locking the station.

## Installation

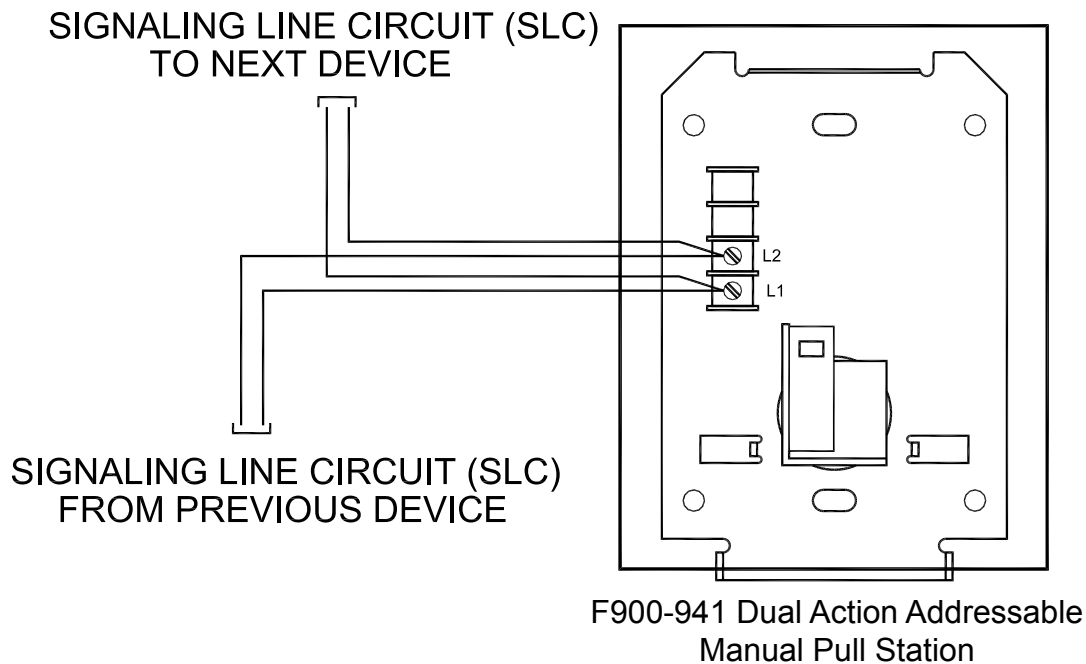
The F900-941 Dual Action Addressable Manual Pull Station mounts to a single gang backbox for flush applications and Firecom's FSG-SB Manual Station Surface Backbox for surface applications.



## Engineering Specifications

The Model F900-941 Dual Action Addressable Manual Pull Station with White Stripe is a die cast metal fire alarm pull station. The F900-941 communicates with Firecom analog addressable boards and modules. The F900-941 is supplied with one scored acrylic breakrod and one key for resetting the pull station. The F900-941 Dual Action Addressable Manual Pull Station shall mount on a standard single gang back box or on Firecom's Model FSG-SB surface metal backbox.

## Wiring Connection



## Electrical Specifications

### Current Draw

Supervisory	150uA
Alarm	2.4mA

Pull Station Dimensions 4.75" H x 3.25" W x 1.1" D

Flush Mounting Single Gang Electrical Switch Box

Surface Mounting Firecom FSG-SB Manual Station Surface Backbox (4.75" H x 3.25" W x 2.25" D)

Backplate Dimensions Firecom Manual Station Backplate w/White Strip (7.25" H x 6.00" W)

## Ordering Information

Model No.	Part No.	Description
F900-941	71850	Dual Action Addressable Manual Station w White Stripe
FSG-SB	75198	Manual Station Surface Backbox
FSG-GR	75197	Manual Station Break Glass Rod
Backplate	23501	Manual Station Backplate w/White Stripe

It is our intention to keep the product information up to date and accurate. We cannot cover all specific applications or anticipate all requirements. All specifications are subject to change without notice. For more information contact: FIRECOM, INC.

**FIRECOM™, INC.**  
39-27 59th Street  
Woodside, NY 11377  
718.899.6100 TEL  
718.899.1932 FAX



FIRECOMINC.COM

73928  
Rev 110901  
2 of 2