

Features

- ▶ Approved for ADA
- ▶ Single Action Pull Station
- ▶ Mounts on Single Gang Box
- ▶ High Gloss Red Enamel Finish
- ▶ Low Power Consumption



F900-943 Addressable Manual Station

Description

The F900-943 Addressable Fire Alarm Single Action Manual Station with white stripe is a high quality, die cast metal Addressable Fire Alarm Pull Station. The F900-943 is a single action pull station with a diagonal white stripe from left to right. A backplate with diagonal white stripe can be mounted behind the F900-943 manual stations if required. The Fire Alarm Pull Station has been tested for compliance to the latest requirements of the *Americans with Disabilities Act* (ADA). The F900-943 Pull Station is compatible with the following Firecom boards/modules: ALB-1, ALB-2, ALM-100, ALM-200,

Application

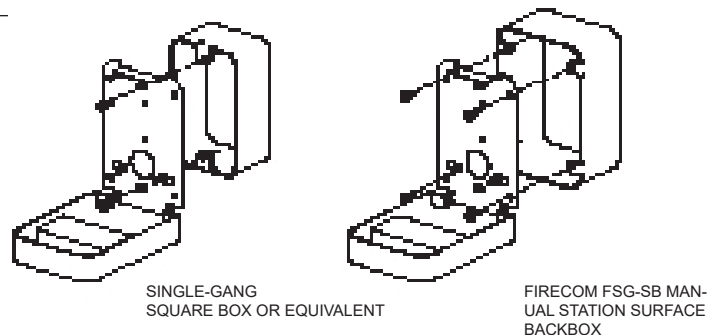
The F900-943 Addressable Fire Alarm Single Action Manual Station is operated by simply pulling the handle on the front of the station as far down as it will go, at which point the handle locks into place and is easily visible from up to 50 feet. The handle is reset by opening the station with the hex wrench or key, placing the handle in the normal upright position and re-locking the station.

Approvals and Listings

Underwriters Laboratories (File No. S2976)
NYC MEA (MEA No. 32-95-E)

Installation

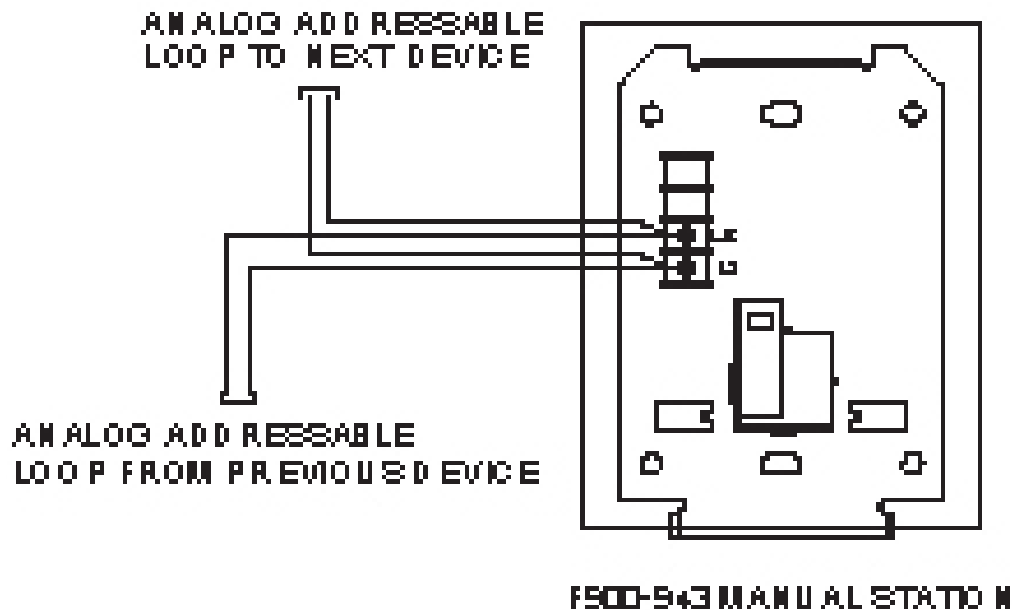
The F900-943 Addressable Manual Station mounts to a single gang Backbox for flush applications and Firecom's FSG-SB Manual Station Surface Backbox for surface applications.



Engineering Specifications

The Model F900-943 Addressable Fire Alarm Single Action Pull Station with white stripe is a die cast metal Fire Alarm Pull Station. The pull station communicates with Firecom ALB-1, ALB-2, ALM-100, ALM-200, ALT-7, or ALM-7 Analog Addressable Boards/Modules. The pull station is supplied with one scored acrylic break rod and one key for resetting the pull station. The F900-943 Pull Station mounts to a standard single gang back box, or Firecom's Model FSG-SB surface metal back box.

Wiring Connection



Electrical Specifications

Current Draw

Supervisory 600uA

Alarm 5mA

Pull Station Dimensions 4.75" H x 3.25" W x 1.1" D

Flush Mounting Single Gang Electrical Switch Box

Surface Mounting Firecom FSG-SB Manual Station Surface Backbox (4.75" H x 3.25" W x 2.25" D)

Backplate Dimensions 7.25" H x 6.00" W

Ordering Information

Model No.	Part No.	Description
F900-943	75201A	Single Action Addressable Manual Station w/White Stripe
FSG-SB	75198	Manual Station Surface Backbox
FSG-GR	75197	Manual Station Break Glass Rod
Backplate	23501	Manual Station Backplate w/White Stripe

It is our intention to keep the product information up to date and accurate. We cannot cover all specific applications or anticipate all requirements. All specifications are subject to change without notice. For more information contact: FIRECOM, INC.