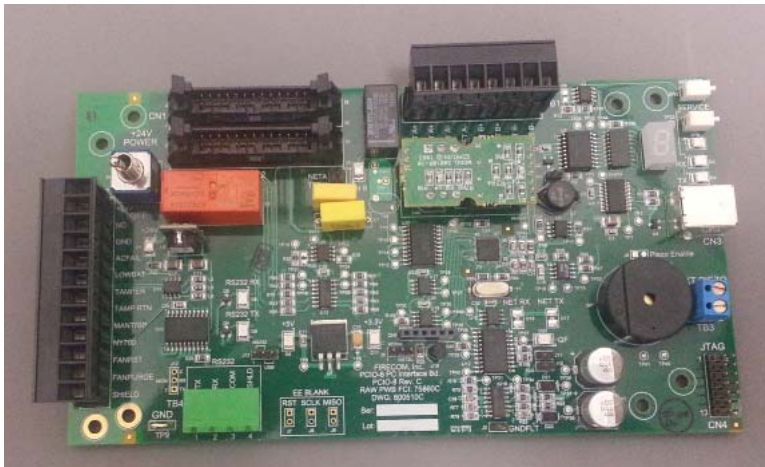


Features

- ▶ Network Data Riser Termination Board for Style 6 or Style 7 Wiring
- ▶ Interfaces Power Supply Supervision Signals to PC
- ▶ Interfaces Local Cabinet Supervision Signals to PC
- ▶ USB Connection to PC
- ▶ 1/2 Module Footprint

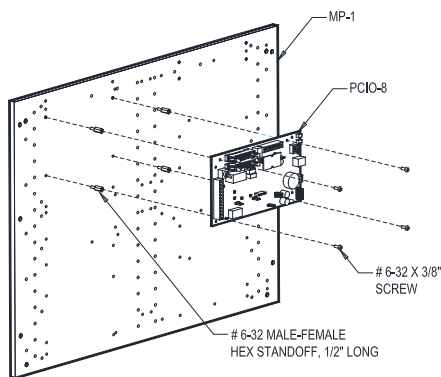


Description

The PCIO-8 PC Interface Board allows PC-Based Interface Software to supervise cabinet telemetry and allows connection for data translation from the Firecom data riser to the PC Software. Cabinet telemetry includes power supply status such as AC Loss and Low Battery conditions as well as a cabinet tamper switch. When using the PCIO-8 to facilitate a data riser connection, the PCIO-8 must be used in conjunction with a ROUT-3 Network Router Board.

Installation

The PCIO-8 Network Router Board mounts to the MP-1 Mounting Plate or behind a Blank Filler Panel (BFM-1, BFM-2, or BFM-3).



Application

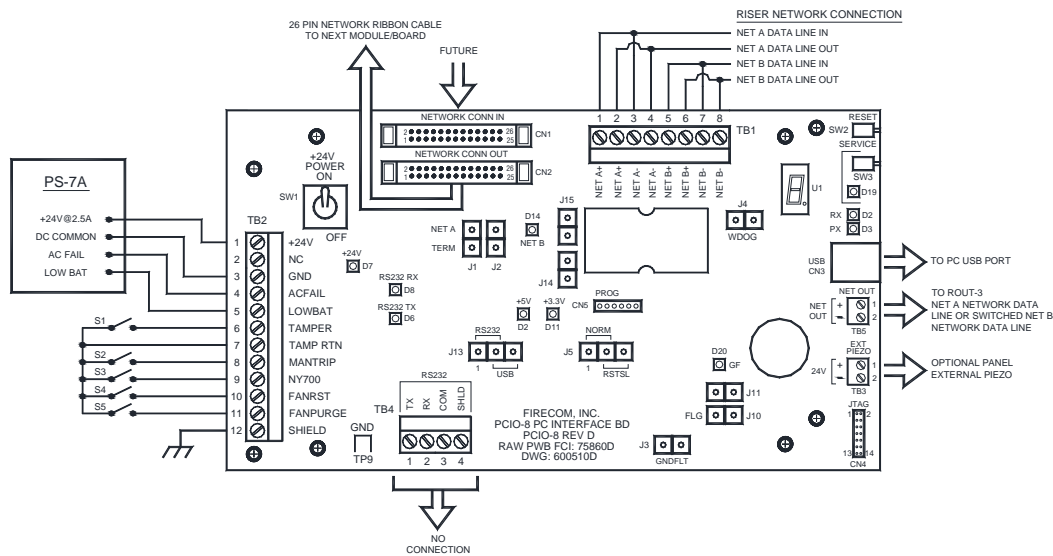
When a Firecom PC Interface application such as the LSN-ANI is being run on a PC, the PCIO-8 and ROUT-3 allow the PC to collect Fire Alarm status from the LSN Data Riser. In this application, the PC is mounted in a cabinet and may have a dedicated Power Supply and battery back-up. The PCIO-8 interfaces Cabinet tamper and power supply supervision signals to the PC so that these items can be monitored and reported by the PC Application.

When a Firecom PC Interface application such as the LSN-PCRA is being run on a panel-mounted PC/touch screen monitor, the PC may be operated off of it's own power supply with a dedicated set of back-up batteries. The PCIO-8 interfaces Cabinet tamper and power supply supervision signals to the PC so that these items can be monitored and reported by the PC Application. In this application, system status is not delivered via a direct connection to a Firecom data riser. System status is delivered via a customer-supplied Ethernet Network, which is connected to the PC.

Engineering Specifications

The PCIO-8 shall provide a USB interface through which power supply supervision and cabinet tamper conditions may be monitored by a PC running the appropriate Firecom LSN software. The PCIO-8 shall provide the NET-A/ NET-B switching function which may be used in conjunction with a ROUT-3 Network Router Board so that a Style-7 LSN Data riser may be used to supply status to LSN Software running on a PC. The PCIO-8 shall provide a local Piezo that can be controlled by the Firecom LSN PC Interface Software. In applications where the local Piezo sounder is not loud enough, an external Sonalert type PAL-328N Piezo sounder (Firecom FC#: 73168) can be connected and will be driven in conjunction with the local Piezo. User selectable NET-A LSN Data Riser termination shall be provided by the PCIO-8.

Wiring Connection



Electrical Specifications

Operating Voltage	24VDC
Operating Current	60mA
External Piezo	24VDC@125mA
Operating Temperature	0°C to 49°C
Operating Relative Humidity Range	0% to 93% @ 32° C

Ordering Information

Model No.	Part No.	Description
PCIO-8	75857	PC Interface Board

It is our intention to keep the product information up to date and accurate. We cannot cover all specific applications or anticipate all requirements. All specifications are subject to change without notice. For more information contact: FIRECOM, INC.

FIRECOM™, INC.
 39-27 59th Street
 Woodside, NY 11377
 718.899.6100 TEL
 718.899.1932 FAX



FIRECOMINC.COM

75863
 Rev 151001
 2 of 2