

Features

- ▶ Microprocessor Controlled
- ▶ 16 Dry Contacts Inputs
- ▶ Controlled by the ACB-728

Description

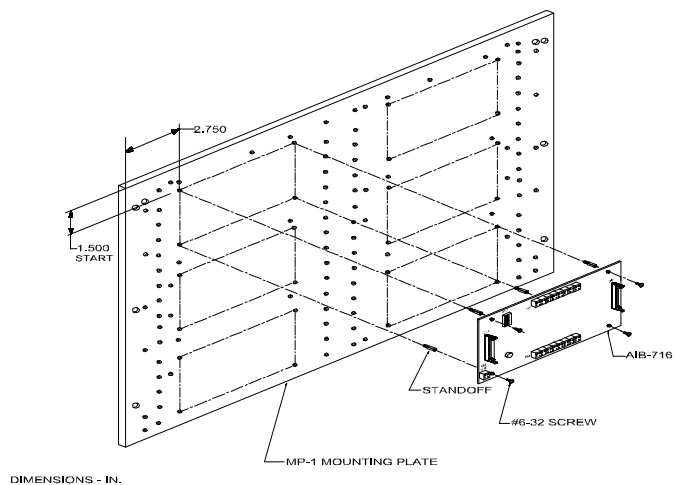
The AIB-716 Annunciator Input Board provides 16 dry contact inputs. Each input can be programmed to indicate the status of a switch or a contact within the LSN 2000 system. The switch or contact status can be used in I/O logic within the LSN 2000 system to activate or deactivate devices. The AIB-716 is controlled by the ACB-728 Annunciator Control Board. A maximum of eight AIB-716 daughter boards can communicate to an ACB-728.

Installation

The AIB-716 Annunciator Input Board occupies 1/2 module footprint and mounts to the MP-1 Mounting Plate. The AIB-716 can also be mounted in Kirkland annunciator enclosures.

Approvals and Listings

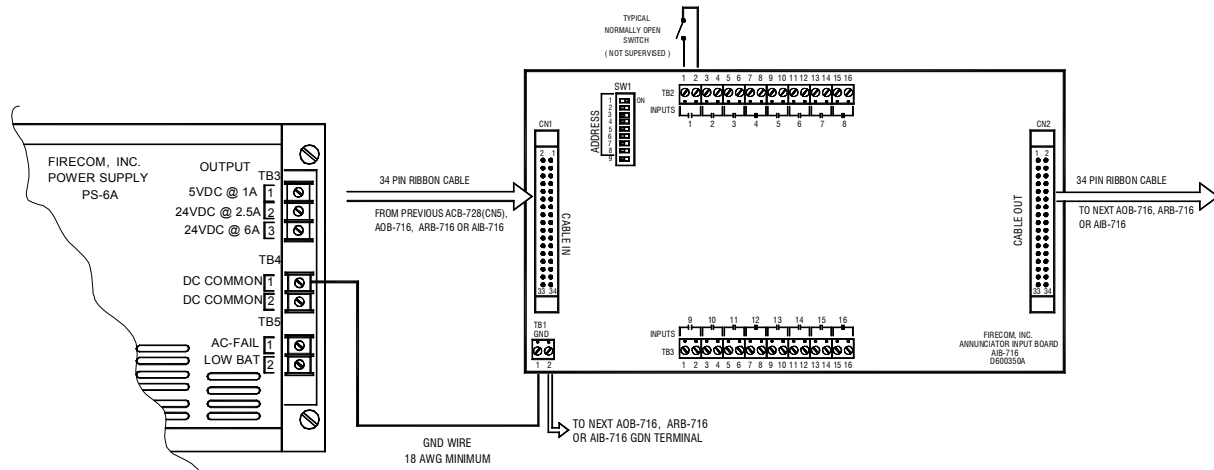
Underwriters Laboratories (File No. S2184)
 NYC MEA (MEA No. 32-95-E)



Engineering Specifications

The AIB-716 Annunciator Input Board shall provide 16 dry contact inputs. Each input shall be capable of providing status to the LSN 2000 system for annunciation and /or input-output (I/O) logic control. The AIB-716 shall be controlled by the ACB-728 Annunciator Control Board. Up to eight AIB-716 Annunciator Input Boards shall be capable of communicating to an ACB-728.

Wiring Connection



Electrical Specifications

Operating Voltage	24VDC
Operating Current	2mA
Operating Temperature	0°C to 49°C
Operating Relative Humidity Range	0% to 93% @ 32°C

Ordering Information

Model No.	Part No.	Description
AIB-716	71607	Annunciator Input Board

It is our intention to keep the product information up to date and accurate. We cannot cover all specific applications or anticipate all requirements. All specifications are subject to change without notice. For more information contact: FIRECOM, INC.

FIRECOM™, INC.
 39-27 59th Street
 Woodside, NY 11377
 718.899.6100 TEL
 718.899.1932 FAX



FIRECOMINC.COM

71925
 Rev 051201
 2 of 2