

## Features

- ▶ Microprocessor Controlled
- ▶ UL Listed for Smoke Control (UUKL)
- ▶ Contains 8 Switch/Indicator Groups
- ▶ Controls up to 8 Fans or Dampers
- ▶ Controlled by the ACB-64
- ▶ Compatible with Kirkland FSCS Panels
- ▶ Each group has 4 separate LEDs Outputs (On/Open, Off/Closed, Auto/Normal, Trouble)
- ▶ Each group has a three position Switch Input (On/Open, Off/Closed, Auto/Normal)

## Description

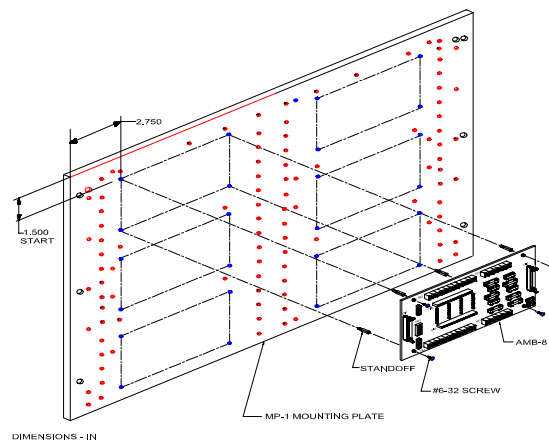
The AMB-8 Annunciator Monitor Board allows for the manual control and override of eight fan, damper or smoke control zones. Each zone has outputs for four LEDs (On/Open, Auto/Normal, Off/Closed & Trouble) and two inputs (On/Open & Off/Closed) for positive status of the displayed device. The AMB-8 is UL Listed for controlling fans, dampers or smoke control zones. Other devices can also be controlled by the AMB-8 such as doors requiring manual override capability.

## Approvals and Listings

Underwriters Laboratories (File No. S2184)  
NYC MEA (MEA No. 32-95-E)  
California State Fire Marshal (7170-1496:100)

## Installation

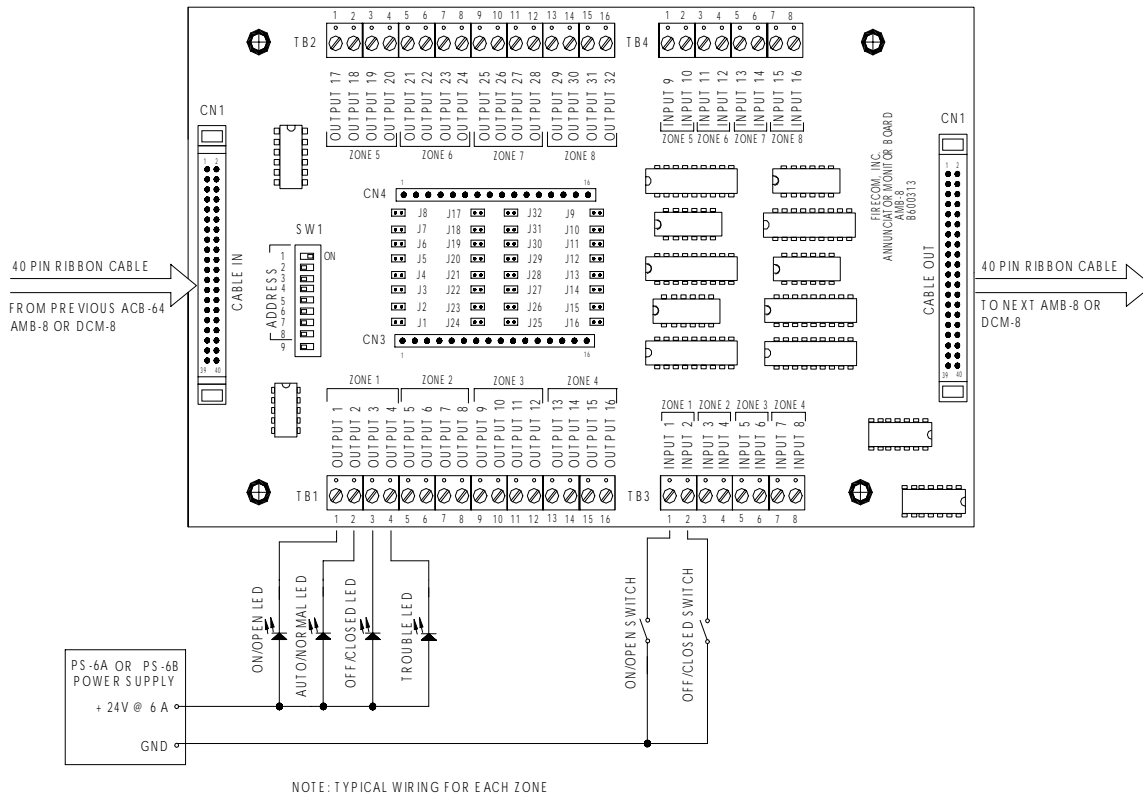
The AMB-8 Annunciator Monitor Board occupies 1/2 module footprint and mounts to the MP-1 Mounting Plate. The AMB-8 can also be mounted in Kirkland FSCS enclosures.



# Engineering Specifications

The AMB-8 Annunciator Monitor Board allows for the control of 8 switch indicator groups. The AMB-8 must be used in conjunction with an ACB-64. The ACB-64 and AMB-8 sub-modules are daisy chained via a 40-pin ribbon cable. The AMB-8 draws all required power through the ACB-64.

## Wiring Connection



## Electrical Specifications

Operating Voltage	24VDC
Operating Current	2mA
Operating Temperature	0°C to 49°C
Operating Relative Humidity Range	0% to 85% @ 30°C

## Ordering Information

Model No.	Part No.	Description
AMB-8	70063	Annunciator Monitor Board

It is our intention to keep the product information up to date and accurate. We cannot cover all specific applications or anticipate all requirements. All specifications are subject to change without notice. For more information contact: FIRECOM, INC.

**FIRECOM™, INC.**  
 39-27 59th Street  
 Woodside, NY 11377  
 718.899.6100 TEL  
 718.899.1932 FAX



**FIRECOMINC.COM**

71347  
 Rev 040218  
 2 of 2