

Features

- ▶ Microprocessor Controlled
- ▶ 4.3" Liquid Crystal Touch Sensitive Display
- ▶ Displays All Life Safety Radio Communication System Status Information
- ▶ Allows for Menu Driven Access to Status Detail
- ▶ Provides Access to Historical Events of Alert Conditions
- ▶ On Screen Help Provides Guidance to Firefighter as to the effects of any Off-Normal Status Changes
- ▶ Echelon LonTalk Communications using Free Topology FTT-10 Technology
- ▶ MicroSD Card Interface
- ▶ Mounts directly to wall, on standard electrical boxes, or on low voltage boxes



Description

The BBGUI-1 Graphical User Interface displays system status information for the BDA Buddy system. The BBGUI-1 is a node on the communications network and communicates with other BBGUI-1 units as well as all the BBCPU-1 based data gathering panels that support the life safety radio communications monitoring system.

The BBGUI-1 is intended to be installed in close proximity to the Fire Alarm Control Panel. This allows Firefighters to use its full color touch screen to quickly assess the health and expected effectivity of the life safety radio communications equipment in the building. Additional BBGUI-1 units may be installed in the building's lobby, as well as next to any BDA Buddy data gathering panel for quick access by repair technician personnel.

When a significant status change occurs, an alert condition will be shown upon the BBGUI-1 display. Event detail and history can then be reviewed. Helpful information can also be displayed to explain these conditions to the Firefighter personnel so that the impact on the effectiveness of the life safety radio communication system can be evaluated, giving them an opportunity to create an appropriate action plan that can circumvent the malfunctions of the radio equipment.

Alert condition changes result in a repeating local audible and visible indication that must be acknowledged.

Application

Use one or more BBGUI-1 Graphical User Interfaces to provide convenient display information in building lobbies, equipment rooms, or command centers. The BBGUI-1 obtains power from a BBCPU-1 in a data gathering panel. A network connection amongst the BDA Buddy equipment cabinets and remote annunciators delivers status information that is then presented upon the BBGUI-1 display for notification and review purposes.

Approvals and Listings

Underwriters Laboratories (File No. PENDING)



Engineering Specifications

The BBGUI-1 shall provide status information for the entire BDA Buddy life safety radio communication monitoring system.

Communications between this microprocessor controlled intelligent node and other nodes within the system shall be via Echelon LonTalk Free Topology communications. The BBCPU-1 shall provide a connection for twisted pair network wiring from the BBCPU-1 to one or more BBGUI-1 units as well as other data gathering panels. The communication link between the BBGUI-1 and other components of the BDA Buddy equipment shall be supervised for integrity.

The BBGUI-1 shall provide a 4.3" full color liquid crystal display touch sensitive screen.

When alert conditions are detected, the BBGUI-1 shall indicate the status change visually and audibly. An operator must acknowledge the status change by touch command in order to silence the audible sounder.

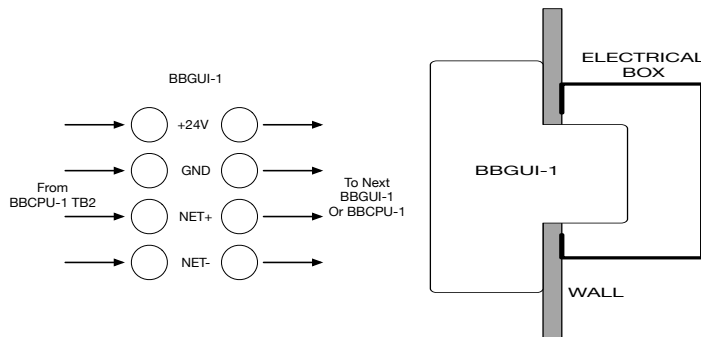
The BBGUI-1 shall allow interrogation of the system monitoring points as well as allowing review of historical events.

The BBGUI-1 shall contain the necessary portions of a system wide database that allows it to operate upon global system state changes, providing textual descriptions and locations of each monitored input and each controlled output.

A password protected menu shall allow access to service related functions.

Installation

The BBGUI-1 mounts on a wall surface, or upon a single- or double-gang electrical box, or upon a low voltage box. Wiring between the data gathering panels and BBGUI-1 Graphical User Interface is accomplished with a quad cable with two twisted pairs. One pair delivers network information and the other pair delivers 24VDC power.



Electrical Specifications

Operating Voltage	24V
Operating Current	70mA
Operating Temperature	0°C to 49°C
Operating Relative Humidity Range	0% to 93% @ 32°C

Ordering Information

Model No.	Part No.	Description
BBGUI-1	79186	Graphical User Interface

It is our intention to keep the product information up to date and accurate. We cannot cover all specific applications or anticipate all requirements. All specifications are subject to change without notice. For more information contact: FIRECOM, INC.

FIRECOM™, INC.

3927 59th Street
Woodside, NY 11377
718.899.6100 TEL
718.899.1932 FAX



WWW.FIRECOMINC.COM

78807
Rev 20210210
Pg 2 of 2