

## Features

- ▶ Wall mount cabinet
- ▶ Available in gray
- ▶ Key lock front door
- ▶ Removable front door
- ▶ Conduits knock outs on all four sides
- ▶ Heavy Duty 16 gage steel
- ▶ Right or left opening front door
- ▶ 1 MP-1 Mounting Plate footprints
- ▶ Vented front door



## Description

The CAB-15 is a 16 gage steel wall mount equipment enclosure. The CAB-15 contain one MP-1 Mounting Plate footprint. The enclosure is designed for use with all LSN 2000 Fire Command Center components, such as the CP-40 Control Panel, DCM-32 Display Control Module, DCM-40 Display Control Module, SP-40 Strip Printer Module, PS-6A Power Supply and the OCP-500 Output Connector Panel. The removable front door is vented, contains a key lock for security and can be installed on a left or right hand door assembly. In the rear of the enclosure, mounting studs exist for the installation of

the removable MP-1 Mounting Plate. Conduit knock outs are provided on all four sides. Pull conduit connections and field wiring inside the CAB-15 back box before electronic equipment is installed. When installing the CAB-15 enclosure, the following must be considered:-

- Local mounting codes.
- The physical size and weight of cabinet.
- Obstruction free area, which would prevent the cabinet door from opening freely.

## Approvals and Listings

Underwriters Laboratories (File No. S2184)  
NYC MEA (MEA No. 32-95-E)

California State Fire Marshal (7170-1496:100)  
City of Chicago

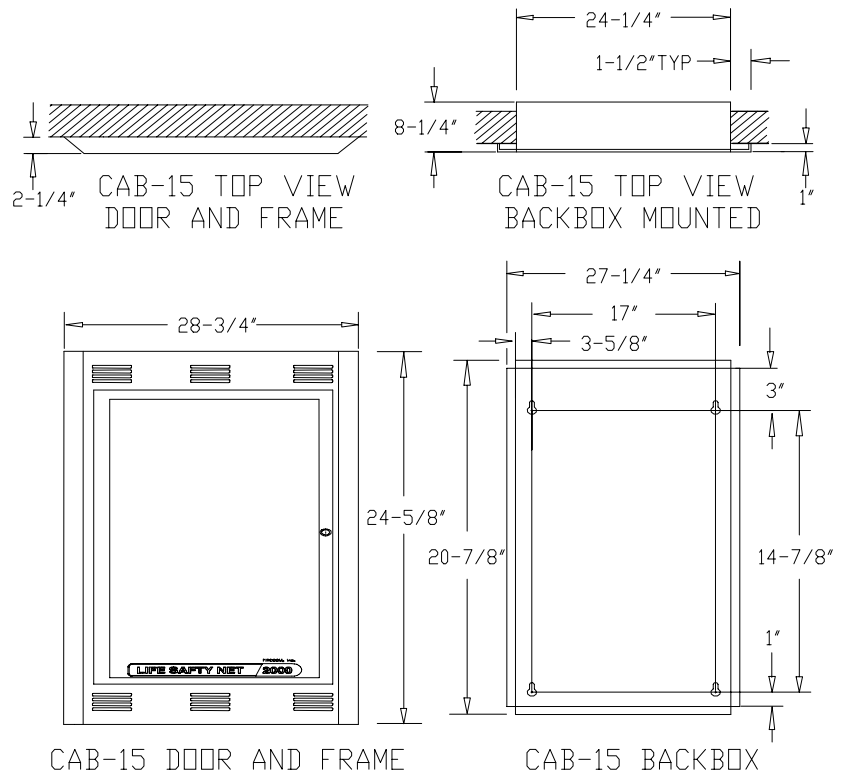
# Engineering Specifications

The CAB-15 wall mount enclosure shall be UL Listed for mounting LSN 2000 electronic components. The CAB-15 shall contain 6 mounting studs for a MP-1 Mounting Plate footprint. The MP-1 footprint shall allow for the installation of either an ITC-2000 Motherboard or MP-1 Mounting Plate. This feature will allow electronic components to be assembled, pre-wired and tested on a MP-1 Mounting Plate before installation in the enclosure. The CAB-15 shall be made of 16 gage heavy duty steel painted gray. The front door shall be capable of being removed. The front door shall also be vented and contain a key lock for unauthorized opening. Conduit knock outs shall be provided on all four sides of the enclosure.

## Application

The CAB-15 wall mount enclosure is used to mount the Fire Command Center modules or MP-1 Mounting Plate with electronic components. The enclosure is specifically designed with mounting studs to facilitate mounting the back box without electronic components installed. Electronic components can be assembled on a MP-1 Mounting Plate and installed in the enclosure after it has been mounted.

**CAB-15  
Rough-In  
Dimensions**  
Height 19-1/4"  
Width 24-3/4"  
Depth 7-3/8"



## Ordering Information

Model No.	Part No.	Description
CAB-15	71409	Enclosure

It is our intention to keep the product information up to date and accurate. We cannot cover all specific applications or anticipate all requirements. All specifications are subject to change without notice. For more information contact: FIRECOM, INC.

**FIRECOM™, INC.**  
39-27 59th Street  
Woodside, NY 11377  
718.899.6100 TEL  
718.899.1932 FAX



FIRECOMINC.COM

71555  
Rev 040415  
2 of 2