

## Features

- ▶ Wall mount cabinet
- ▶ Available in gray
- ▶ Key lock front door
- ▶ Removable front door
- ▶ Conduits knock outs on all four sides
- ▶ Heavy Duty 16 gage steel
- ▶ Right or left opening front door
- ▶ 2 MP-1 Mounting Plate footprints in CAB-31
- ▶ 3 MP-1 Mounting Plate footprints in CAB-57
- ▶ Vented front door



## Description

The CAB-31 and CAB-57 are 16 gage steel wall mount equipment enclosures. The CAB-31 contains two MP-1 Mounting Plate footprints and the CAB-57 contains three. These enclosures are designed for use with all LSN 2000 Fire Command Center components, such as the CP-40 Control Panel, DCM-32 Display Control Module, DCM-40 Display Control Module, SP-40 Strip Printer Module, PS-6A Power Supply and the OCP-500 Output Connector Panel. The removable front door is vented, contains a key lock for security and can be installed on a left or right hand door assembly. In the rear of the en-

closure, mounting studs exist for the installation of the removable MP-1 Mounting Plate. Conduit knock outs are provided on all four sides Before mounting the CAB-31 or CAB-57 back box pull conduit connections and field wiring inside of back box before electronic equipment is installed. When installing the CAB-31 or CAB-57 enclosure, the following must be considered:-

- Local mounting codes.
- The physical size and weight of cabinet.
- Obstruction free area, which would prevent the cabinet door from opening freely.

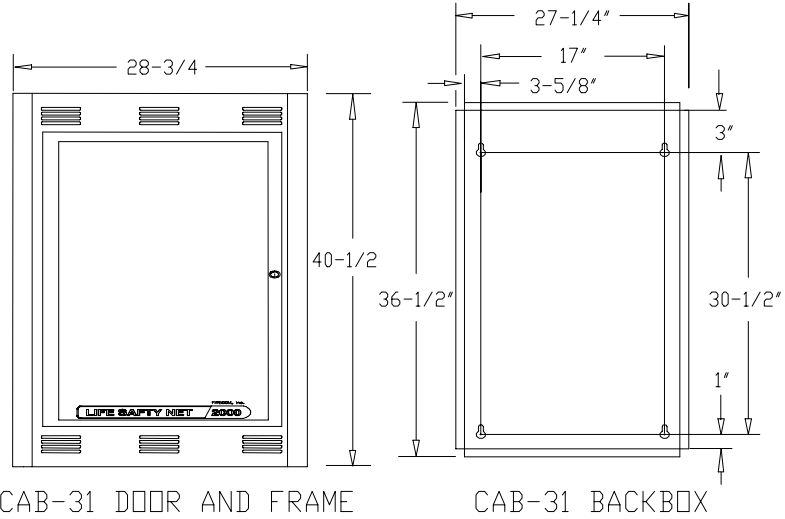
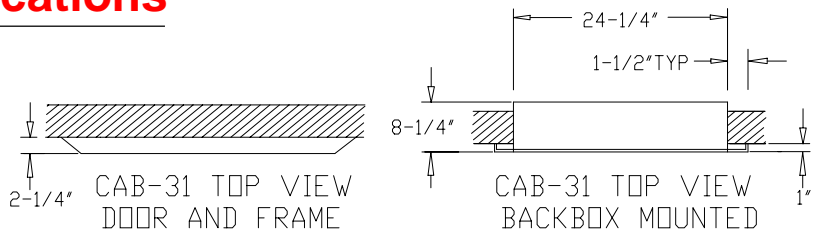
## Approvals and Listings

Underwriters Laboratories (File No. S2184)  
NYC MEA (MEA No. 32-95-E)  
California State Fire Marshal (7170-1496:100)  
City of Chicago

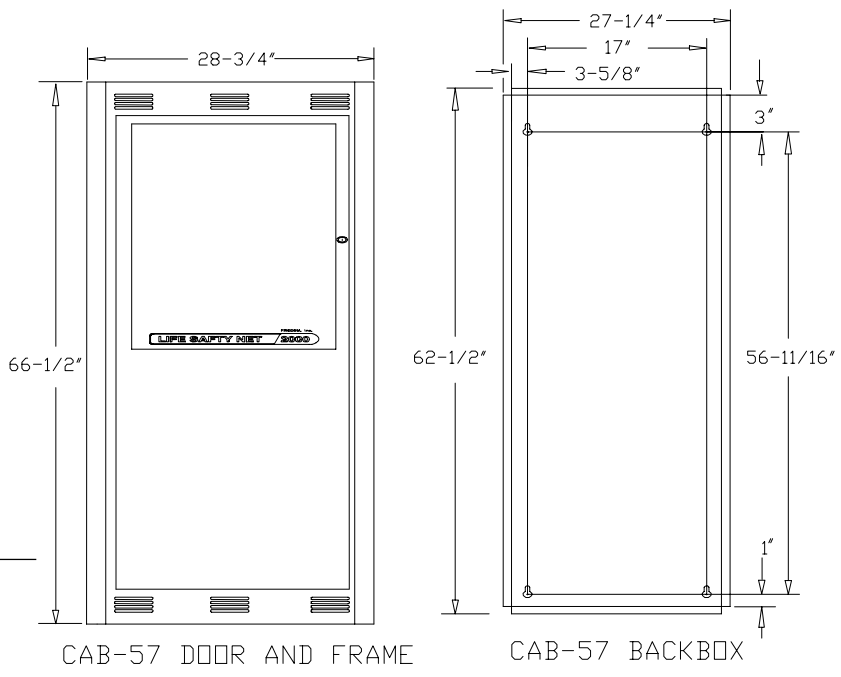
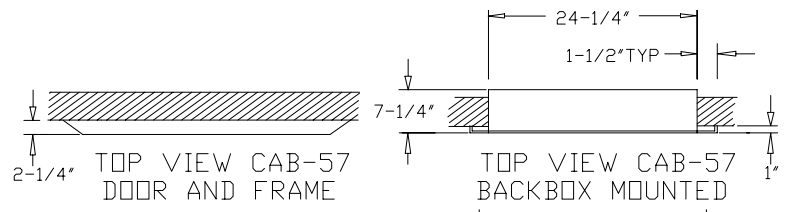


# Engineering Specifications

The CAB-31 and CAB-57 wall mount enclosures shall be UL Listed for mounting LSN 2000 electronic components. The CAB-31 shall contain 12 mounting studs for two MP-1 Mounting Plate footprints. The CAB-57 shall contain 18 mounting studs for three MP-1 Mounting Plate footprints. These MP-1 footprints shall allow for the installation of either an ITC-2000 Motherboard or MP-1 Mounting Plate. This feature will allow for electronic components to be assembled, pre-wired and tested on a MP-1 Mounting Plate before installation in the enclosure. The CAB-31 and CAB-57 shall be made of 16 gage heavy duty steel painted gray. The front door shall be capable of being removed. The front door shall also be vented and contain a key lock for unauthorized opening. The CAB-31 and CAB-57 shall contain a door tamper switch for system indication when the enclosure door is open. Conduit knock outs shall be provided on all four sides of the enclosure.



	<b>CAB-31 Rough-In Dimensions</b>	<b>CAB-57 Rough-In Dimensions</b>
<b>Height</b>	35"	61-3/16"
<b>Width</b>	24-3/4"	24-3/4"
<b>Depth</b>	7-3/8"	7-3/8"



## Application

The CAB-31 and CAB-57 wall mount enclosures are used to mount the FCC modules, ITC-2000 Motherboard or MP-1 Mounting Plate with electronic components. These enclosures are specifically designed with mounting studs to facilitate mounting of the back boxes without electronics components installed. Electronics components can be assembled on MP-1 Mounting Plates and installed in the enclosures after they have been mounted.

## Ordering Information

Model No.	Part No.	Description
CAB-31	76000	Enclosure
CAB-57	76001	Enclosure

It is our intention to keep the product information up to date and accurate. We cannot cover all specific applications or anticipate all requirements. All specifications are subject to change without notice. For more information contact: FIRECOM, INC.

**FIRECOM™, INC.**  
39-27 59th Street  
Woodside, NY 11377  
718.899.6100 TEL  
718.899.1932 FAX



**FIRECOMINC.COM**

71364  
Rev 040218  
2 of 2