



**FRONT VIEW**



**REAR VIEW**

## Features

- ▶ Analog Addressable Module
- ▶ Style "B" or Style "D" Initiating Device Circuit
- ▶ Monitors Alarm or Supervisory Device Contacts
- ▶ 1 Form "C" Dry Contact
- ▶ LED Status Indicator
- ▶ Low Power Consumption
- ▶ Mounts in 4" Square Electrical Box
- ▶ Dip Switch Address Setting

## Description

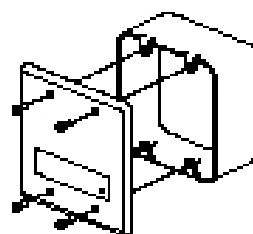
The F900-821 Input-Output Module is an addressable device that provides a Style "B" (Class B) or Style "D" (Class A) initiating device circuit to monitor dry contact initiating devices. The module's output provides a Form "C" dry contact for control or override functions. The module features a LED status indicator that blinks during communication. The LED can be programmed to come on steady when the initiating device circuit goes into alarm or the output is activated.

## Approvals and Listings

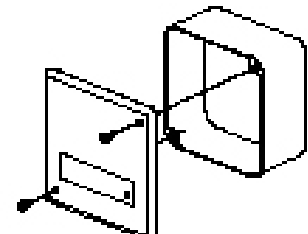


## Installation

The F900-821 mounts in a standard double gang or 4" square electrical box.



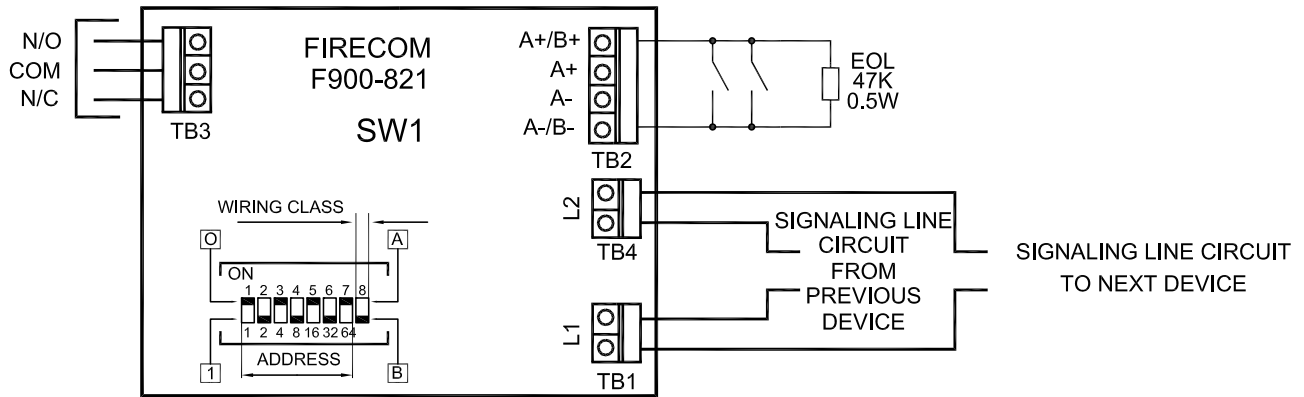
REF NEMA OS 1-1989  
FIGURE 210 4" DOUBLE-GANG  
SQUARE BOX OR EQUIVALENT



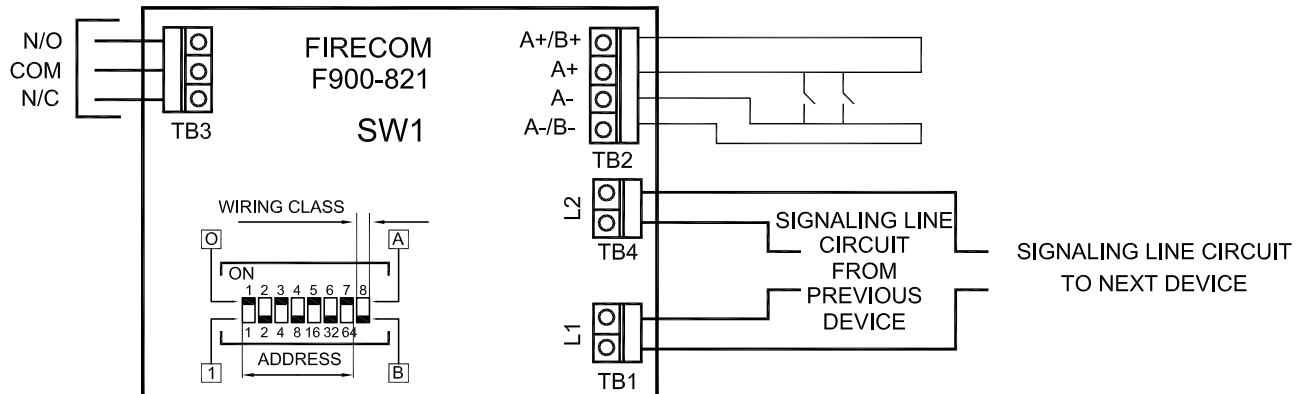
REF NEMA OS 1-1989  
FIGURE 110 4" SQUARE  
BOX OR EQUIVALENT

# Wiring Connection

## F900-821 Style B (Class B) Wiring



## F900-821 Style D (Class A) Wiring



## Notes

1. All wiring must conform to applicable local codes, ordinances & regulations. e.g. NFPA 72.
2. Relay contacts shown in RESET condition.
3. Select Class A or B mode using BIT 8 of Dual In Line switch SW1.
4. Relay Contact Rating, 4A @ 30VDC, 4A @ 120VAC Resistive.
5. Current consumption @ 28V nominal Standby 950µA. LED on, and relay contact closed 5mA MAX.
6. All circuits are Power Limited except TB3 (Relay Contacts). If this Terminal is connected to a Non Power Limited Source, remove the lower portion of the Power Limited label along the kiss cut. Use only Limited Energy cable Types FPL, FPLR or FPLP on power Limited circuits.

## Ordering Information

Model No.	Part No.	Description
F900-821	73490	Input-Output Module

It is our intention to keep the product information up to date and accurate. We cannot cover all specific applications or anticipate all requirements. All specifications are subject to change without notice. For more information contact: FIRECOM, INC.