

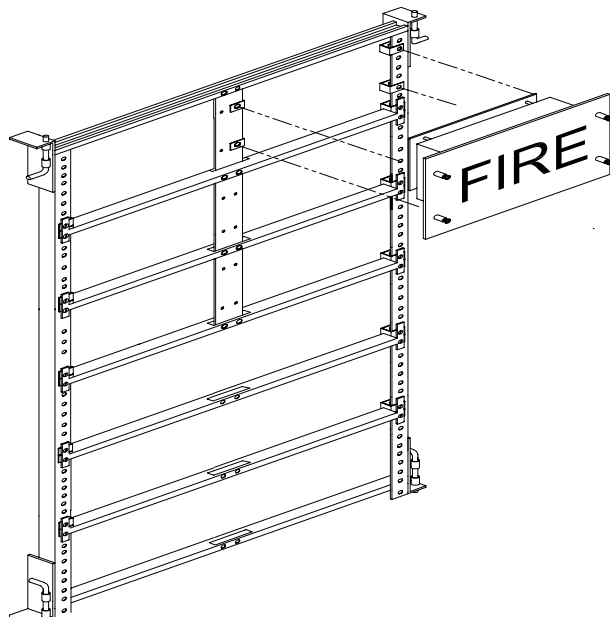
## Features

- ▶ Flashes "FIRE" in red
- ▶ Microprocessor Controlled
- ▶ Big 3" Inch Letters
- ▶ Device Programmable
- ▶ Low Power Consumption
- ▶ 1/2 Module Footprint
- ▶ No External Wiring



## Installation

The FS-1 Fire Sign Module occupies 1/2 panel space and mounts to the HS-1 Horizontal Strap and VS-1 Vertical Strap in the Fire Command Center enclosure.



## Description

The FS-1 Fire Sign Module flashes the word "FIRE" in three inch letters when a smoke detector, manual pull station or other fire alarm device goes into alarm in the LSN 2000 system. The FS-1 Fire Sign Module flashes on and off at a one second rate. The Fire Sign module mounts into any Fire Command Center enclosure and requires no external wiring. All alarm devices that lit the FS-1 module are programmed. When an alarm device goes into alarm, the FS-1 Fire Sign illuminates and begins to flash. The Fire Sign remains flashing until the alarm device has restored within the system. If multiple devices goes into alarm, the FS-1 Fire Sign remains flashing until all devices have restored.

## Application

The FS-1 Fire Sign module has been designed to meet the stringent New York City fire code requirements for a "FIRE" sign. The FS-1 module is used to flash the word "FIRE" when a fire alarm device goes into alarm. It remains flashing until the fire alarm device resets.

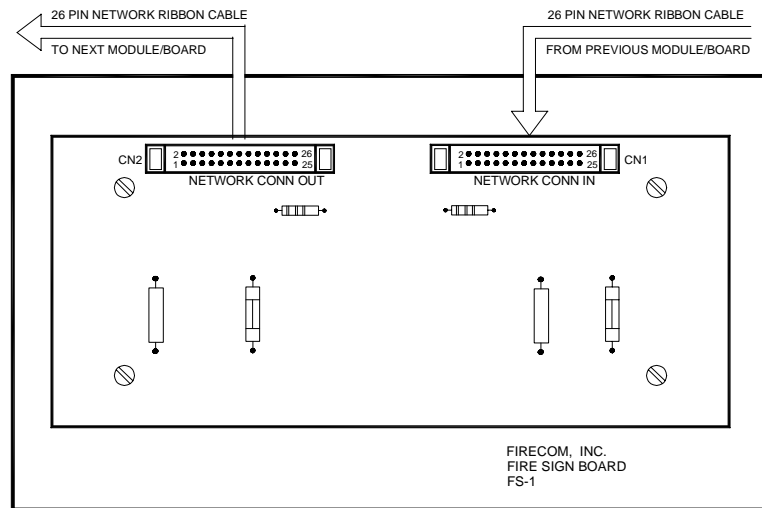
## Approvals and Listings

Underwriters Laboratories (File No. S2184)  
NYC MEA (MEA No. 32-95-E)  
California State Fire Marshal (7170-1496:100)  
City of Chicago

# Engineering Specifications

The FS-1 Fire Sign module shall be a backlit sign with the word "FIRE" on it. It shall be capable of being programmed to flash on and off at a one second rate when a device in the LSN 2000 system goes into alarm. It shall fit within any LSN 2000 Fire Command Center enclosure. Connections to the FS-1 Fire Sign module will require only the Network Ribbon Cable. No external wiring is required. The FS-1 flashes when a programmed fire alarm device goes into alarm. The fire sign turns off when the device restores. If multiple devices are in alarm, all devices must restore to their normal state before the fire sign turns off. The FS-1 Fire Sign module bulbs can be tested by using the Lamp Test on the CP-40 Control Panel.

## Wiring Connection



## Electrical Specifications

Operating Voltage	24VDC
Operating Current	0mA (Supervisory) 317mA (Alarm)
Operating Temperature	0°C to 49°C
Operating Relative Humidity Range	0% to 85% @ 30°C

## Ordering Information

Model No.	Part No.	Description
FS-1	70220	Fire Sign Module

It is our intention to keep the product information up to date and accurate. We cannot cover all specific applications or anticipate all requirements. All specifications are subject to change without notice. For more information contact: FIRECOM, INC.