

Features

- ▶ Supervised Life Safety Antenna
- ▶ Omnidirectional, 470 - 490 MHz
- ▶ Addressable Antenna
- ▶ Convenient Polling Status LED

Application

The Firecom ANT-401 Supervised Life Safety Antenna consists of an antenna with an integral Firecom supervision module. This module provides for supervision of the ARCS wall mounted antenna. Combined with the Firecom system supervisory motherboard installed in the RPT-1 Repeater Cabinet, the Firecom ARCS 2000 Auxiliary Radio Communication System can provide individual antenna status for the entire system including the coax cable.

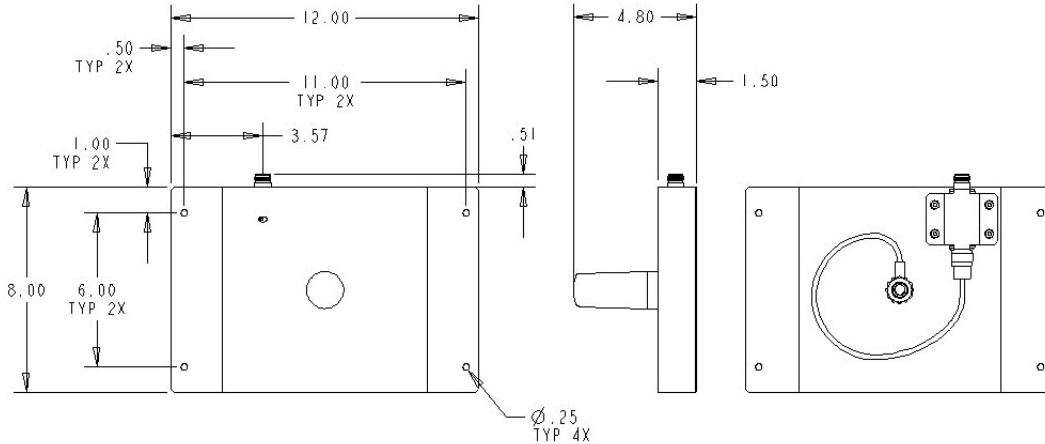
The included Firecom supervision module provides each antenna a unique address which allows identification of an antenna disconnection. When one or more antennas becomes disconnected from the coax cable, each antenna will be recognized as missing and annunciated on the LCD display of the OC-1 Operator Console. This reporting will occur whether the system is active or in standby (off) mode.

For visual field verification, the ANT-401 contains a multi-color LED which flashes every 8-10 seconds in the Status window on the device, validating connection to the RPT-1 Repeater Cabinet. The supervision module is designed to be integral to the antenna.

Engineering Specification

The ANT-401 incorporates a Laird Phantom® UHF antenna that outperforms conventional antennas in many indoor and outdoor applications. The antenna's design features vertical polarization components, and provides low visibility, wide bandwidth and a low angle radiation pattern that is superior to traditional gain antennas in most applications.

The ANT-401 has a standard NMO mounting socket on the ground plate that allows connection to any NMO antenna.



The ANT-401 antenna is individually addressed and polled in a Firecom ARCS 2000 Auxiliary Radio Communication System, which allows unique identification of an antenna disconnection. The ARCS 2000 system maintains a list of antennas installed in the building. When one or more antennas becomes disconnected from the coax cable wiring, each antenna will be recognized as missing and annunciated on the LCD display of the OC-1 Operator Console. This supervision occurs whether the system is active or in standby (Off) mode.

Technical Specifications

Operating Frequency	470-490 MHz	Dimensions	8"L x 12" W x 4.8"D
Gain	3 dBi	Weight	??
Nominal Impedance	50 Ω	Random Material	SABIC Lexan
Max Power – Ambient 25° C	100 W	Connector Type	N Female
Radiation Pattern	Omnidirectional	Material Substance Compliance	RoHS
Polarization	Vertical	Ingress Protection	IP67
		Antenna Color	White

Ordering Information

Model No.	Part No.	Description
ANT-401	79747	Supervised Life-Safety Antenna

It is our intention to keep product information up-to-date and accurate. We cannot cover all specific applications or anticipate all requirements. All specifications are subject to change without notice. For more information, contact FIRECOM, INC.

FIRECOM™, INC.

3927 59th Street Woodside, NY 11377
718.899.6100 TEL; 718.899.1932 FAX

WWW.FIRECOMINC.COM



Rev 20211217
80087