



Features

- ▶ Analog Addressable Module
- ▶ Style “B” or Style “D” Initiating Device Circuit
- ▶ Monitors Alarm or Supervisory Device Contacts
- ▶ LED Status Indicator
- ▶ Low Power Consumption
- ▶ Mounts in 4” Square Electrical Box
- ▶ Dip Switch Address Setting

Description

The F900-831 Mini-Switch Monitor Module is an addressable device that provides a Style “B” (Class B) or Style “D” (Class A) initiating device circuit to monitor dry contact initiating devices. The Mini-Switch Monitor Module features a LED status indicator that blinks during communication. The LED can be programmed to come on steadily when the initiating device circuit goes into alarm.

Approvals and Listings

Underwriters Laboratories (File No. S2184)
NYC MEA (MEA No. 32-95-E)
California State Fire Marshal (7300-1496:127)
City of Chicago

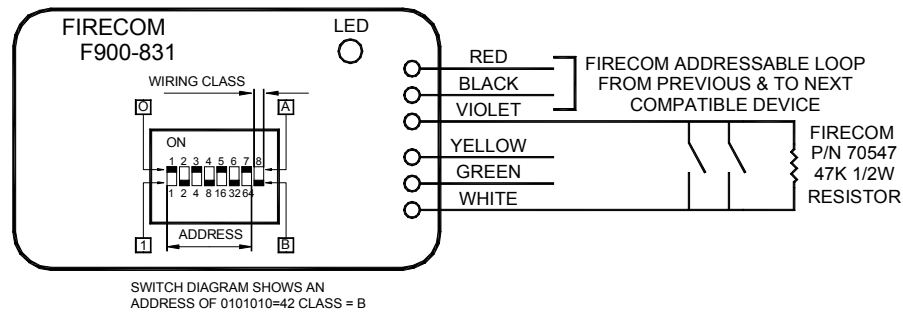
Installation

The F900-831 mounts in a standard single, double gang or 4” square electrical box.

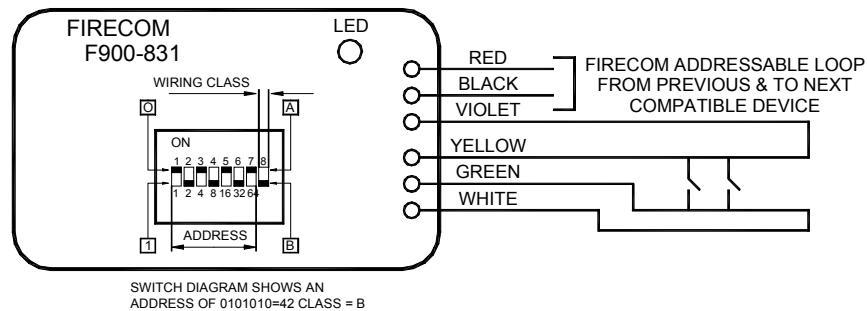


Wiring Connection

F900-831 Style B (Class B) Wiring



F900-831 Style D (Class A) Wiring



Notes

1. All wiring must conform to applicable local codes, ordinances & regulations. e.g. NFPA 72.
2. Select Class A or B mode using Bit 8 of switch.
3. The module will be supplied with the yellow and green pigtailed sleeved to avoid short circuits and ready for operation in Class B mode. To operate in Class A mode remove sleeving from pigtailed and make appropriate connections as required.
4. All circuits are Power Limited. Use only Limited Energy Cable Types FPL, FPLR or FPLP.

Electrical Specifications

Initiating Device Circuit	Style "B" or Style "D" wiring Dry Contact Initiating Devices Max Loop Resistance 50 Ohms
Loop Power	Supervisory and Alarm Currents 600uA (LED active 5mA)
Finish	White Polycarbonate
Dimensions	1.8" x 3.0" x 0.5"
Net Wt.	1.5 oz.
Mounting	Single or Double Gang, 4" square or octagon electrical box (min depth of 2-1/8").

Ordering Information

Model No.	Part No.	Description
F900-831	70498	Mini-Switch Monitor Module

It is our intention to keep the product information up to date and accurate. We cannot cover all specific applications or anticipate all requirements. All specifications are subject to change without notice. For more information contact: FIRECOM, INC.