



**OC-1BBSF - Surface Enclosure**



**OC-1BBFL - Flush Enclosure**



**OC-1BBRK - Rack Mount Enclosure**

## Features

- ▶ Surface, Flush or Rack Mount Enclosures
- ▶ Knockouts on Sides, Bottom & Rear
- ▶ Heavy Duty 16 Gage Cold Rolled Steel
- ▶ Black Baked Finish

## Application

The OC-1BBxx Series enclosures are 16 gage cold rolled steel equipment enclosures with a black backed finish. All enclosures have built in PEM's and standoffs in the rear of the enclosure for the installation of the OC-1 Operator Console, RIB-1 Radio Interface Board and the RCP-1 Riser Control Panel.

The OC-1BBSF is designed for wall surface mounting applications.

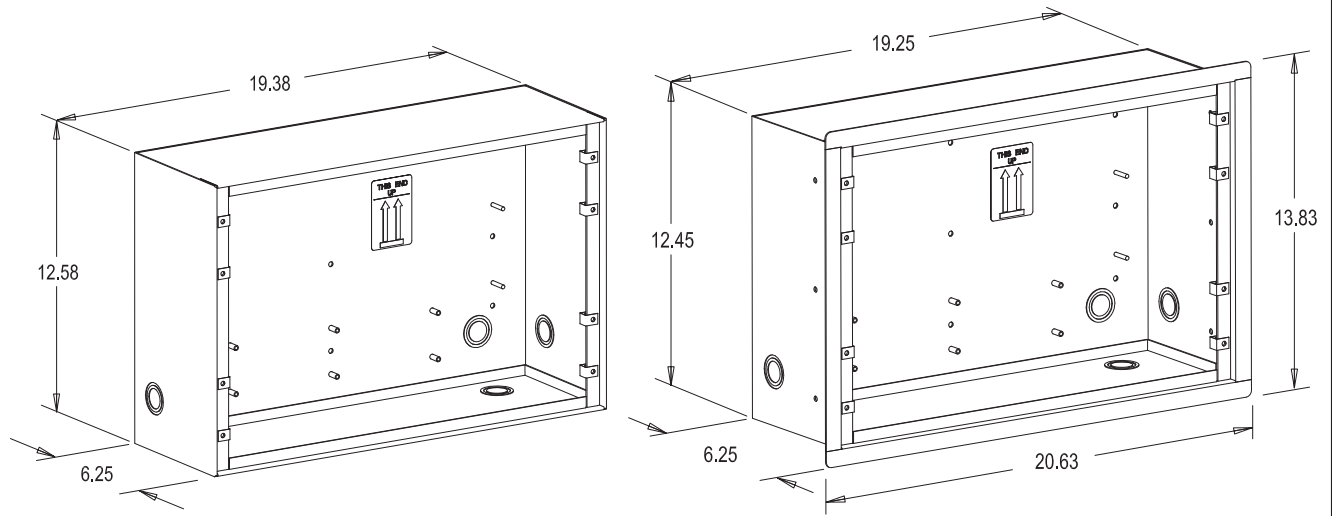
The OC-1BBFL is designed for wall and desk flush mounting applications.

The OC-1BBRK is designed for installation in 19" EIA rack mount enclosures.

Conduit knock outs are provided on either side, bottom and rear of the enclosure. When installing any of the OC-1BBxx enclosures, the following must be considered:

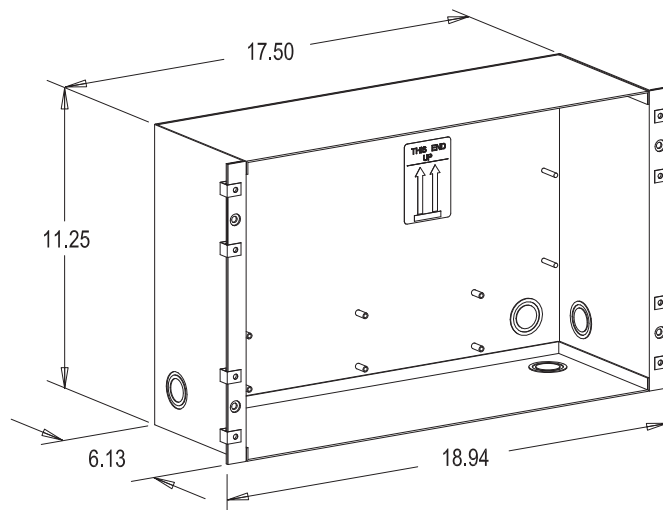
- Local mounting codes.
- The physical size and weight of enclosure.

# Engineering Specification



**OC-1BBSF Enclosure - Surface**

**OC-1BBFL Enclosure - Flush**



**OC-1BBRK Enclosure - Rack**

## Ordering Information

Model No.	Part No.	Description
OC-1BBSF	78311	OC-1 Enclosure - Surface
OC-1BBFL	78259	OC-1 Enclosure - Flush
OC-1BBRK	77441	OC-1 Enclosure - Rack

It is our intention to keep the product information up to date and accurate. We cannot cover all specific applications or anticipate all requirements. All specifications are subject to change without notice. For more information contact: FIRECOM, INC.

**FIRECOM™, INC.**  
 39-27 59th Street  
 Woodside, NY 11377  
 718.899.6100 TEL  
 718.899.1932 FAX



**FIRECOMINC.COM**

77442  
 Rev 201001  
 2 of 2